

Site-type Water quality meter **H-1 Series**

Ammonia Nitrogen Meter

HC-200NH

Continuous measurement of
ammonia nitrogen concentration
by ion electrode method

For aeration optimisation in aeration tank

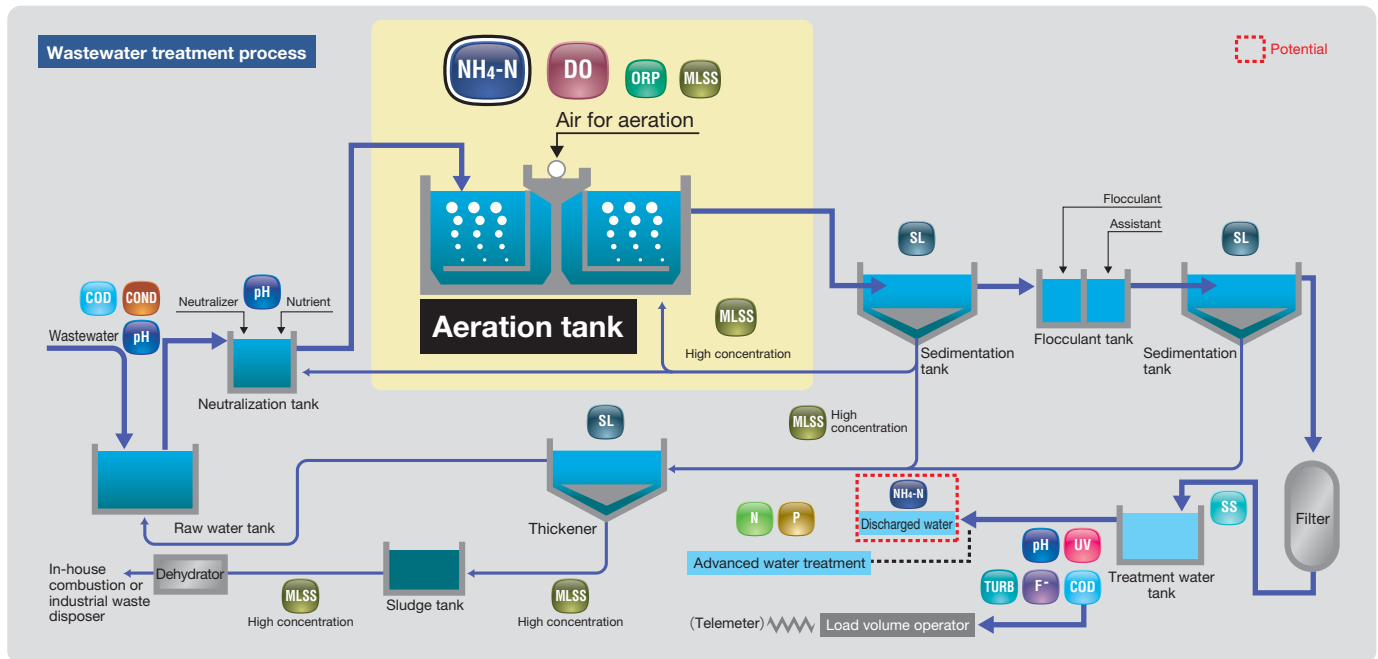


Ammonia nitrogen sensor
AM-2000



Transmitter
HC-200NH

HC-200NH is an ammonia nitrogen(NH₄-N) meter using ion electrode method which is designed for aeration control in wastewater treatment.



If you are interested in using the HC-200NH in other process such as discharged water, please contact us.

Intelligence

- Sensor deterioration diagnostic during measurement *2
- Optical DO sensor connectable (optional)
- Sample adjustment function
- Automatic potassium ion concentration compensation

Easy maintenance

- Replaceable chip without the need for tools
- Combination with new-type ultrasonic cleaner improves antifouling property (optional)
- Flat sensor surface (prevents bubble and stain accumulation) *2
- No measurement reagent necessary

Tough

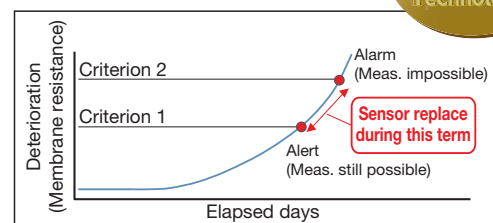
- The ion sensor enables long term stable measurement
- New ion chip internal solution enables stable measurement (Japan patent No. 5144829)
- New structure of reference chip achieves stability measurement *1

*1: patent applied

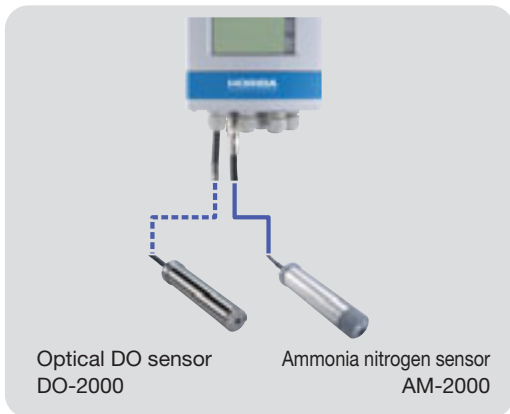
*2: patent applied with Bureau of Sewerage Tokyo Metropolitan Government.

Intelligence Self diagnostic function

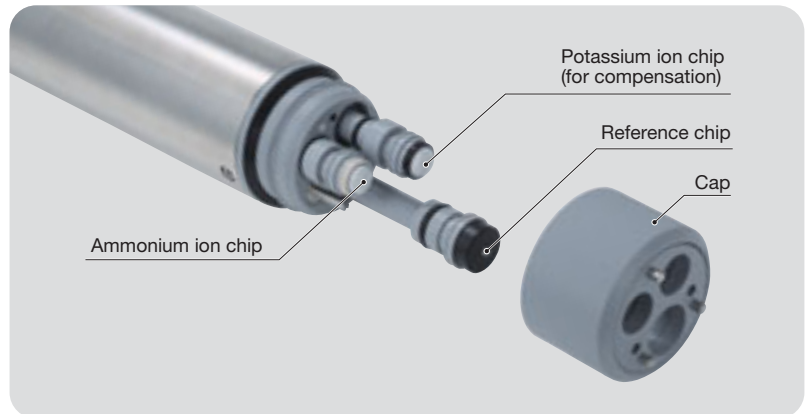
Deterioration diagnostic function during continuous measurement. This function reduces the risk of sudden loss of measurement and provides more reliable measurement.



Intelligence Dual channel transmitter



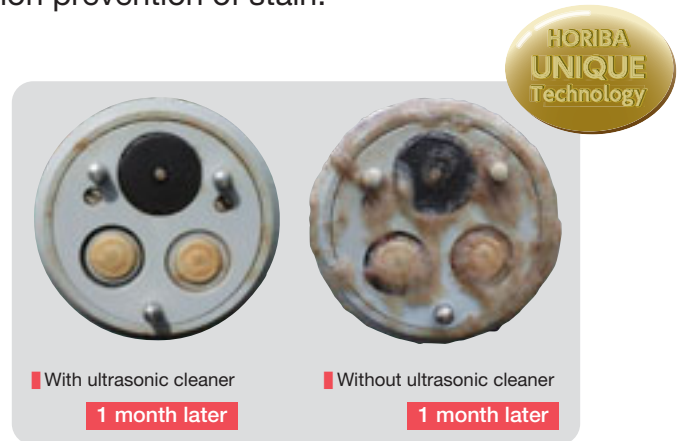
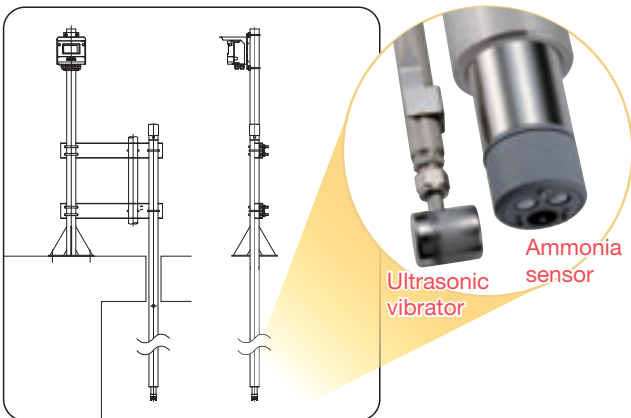
Easy Maintenance Replaceable chip without the need for tools



Easy Maintenance Unique Ultrasonic Cleaner (UH-16A series)

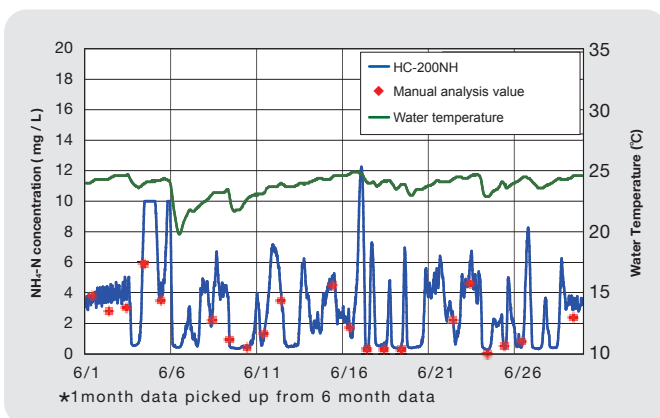
Burst oscillation method

Enables continuous cleaning without damaging sensor, and long term adhesion prevention of stain.

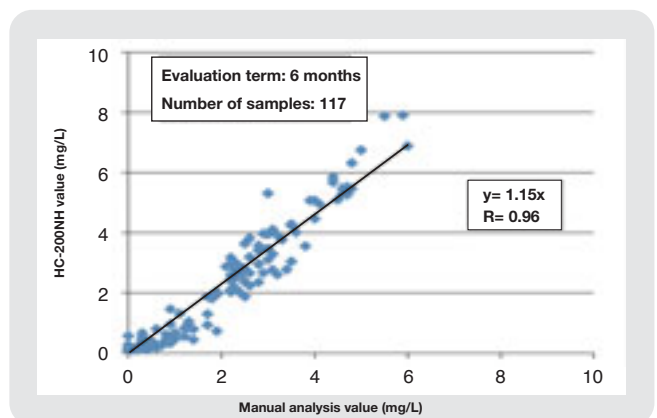


Tough Long term stable measurement

Field test result



Correlation from field test result



Data from joint research with Bureau of Sewerage Tokyo Metropolitan Government

Evaluation Term: 6 months, **Application:** Aeration tank in Tokyo, **Optional:** Ultrasonic cleaner

Maintenance: Once a month (Wash sensor with water and sample adjustment),

Result: Stable measurement for 6 months without sensor replacement

