

Sensors for Conductivity Measurement

Chem

Water

MEMOSENS



SE 630 Memosens Conductivity Sensor

2-electrode sensor for measuring low to medium conductivity values, flexible application; high chemical, thermal and mechanical resistance, digital, with Memosens technology

Corrosion-proof materials, graphite electrodes, and PES body. High accuracy and integrated temperature detector for correct temperature compensation and concentration measurement. Large pressure and temperature range.

Applications

Water, moderately polluted wastewaters, process solutions with medium conductivities; also corrosive media

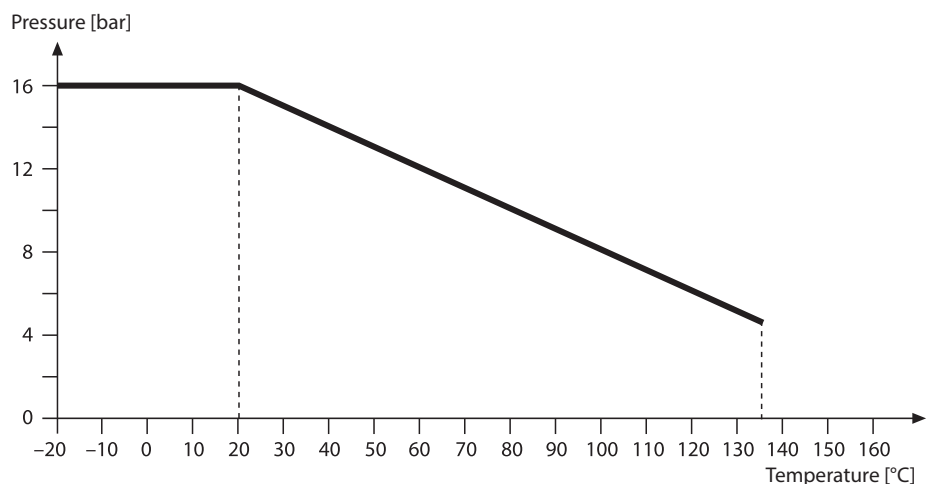
Facts

- Perfect galvanic isolation thanks to Memosens technology
- Digital data transfer
- Integrated sensor diagnostics
- High level of process safety due to durable materials
- Integrated temperature detector
- Robust design
- Large pressure and temperature range
- Easy to clean
- High-precision measurement of conductivities up to 20 mS/cm
- High chemical and thermal resistance

Specifications

Cell constant:	1/cm
Measuring range:	10 μ S/cm ... 20 mS/cm
Material:	Body: PES
Electrodes:	Special graphite
Temp detector protection:	Titanium
Temperature detector:	NTC 30 kohms
Temperature:	-20 ... +135 °C
Pressure:	Max. 16 bar (20 °C), 2,5 bar (135 °C)
Process connection:	G 1"
Sensor cap:	Memosens

Pressure/Temperature Diagram



For up-to-date information, please visit www.knick.de

Knick

Product Range

SE 630 conductivity sensor

G 1"

Order No.

SE 630-MS

Accessories

Memosens cable

3 m

5 m

10 m

20 m^{*)}

Order No.

CA/MS-003NAA

CA/MS-005NAA

CA/MS-010NAA

CA/MS-020NAA

Memosens cable, Ex

3 m

5 m

10 m

20 m^{*)}

CA/MS-003XAA

CA/MS-005XAA

CA/MS-010XAA

CA/MS-020XAA

6-hole flange

ZU 0278

Conductivity standard

KCl 0.1 mol/l 12.88 mS/cm ± 1.5 % 250 ml

KCl 0.01 mol/l 1413 µS/cm ± 2 % 250 ml

ZU 0348

ZU 0349

Calibration Certificate

ZU 0320

MemoSuite

Management software for
Memosens sensors

Basic version (calibration)

Advanced version (calibration, diagnostics, documentation)

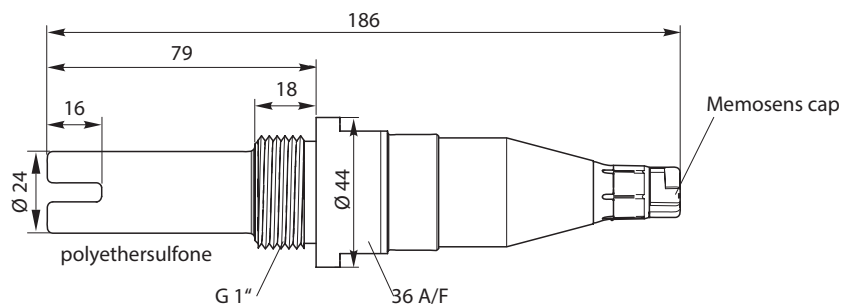
Order No.

SW-MS1400-B

SW-MS1400-A

^{*)} Greater lengths on request

Dimension Drawing



All dimensions in mm