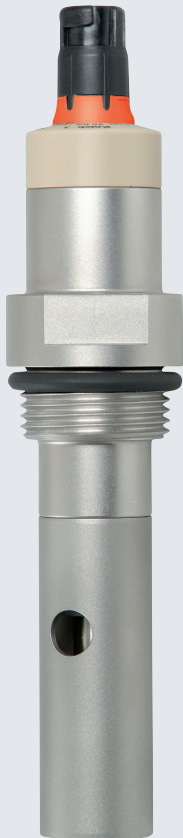


Sensors for Conductivity Measurement

Chem

Energy

MEMOSENS



SE 604 Memosens Conductivity Sensor

Robust 2-electrode sensor, for precise and reliable measurement of low and very low conductivities, particularly in ultrapure water, digital, with Memosens technology.

Robust, coaxially arranged electrodes made of stainless steel. Large measuring range from ultrapure water to 200 $\mu\text{S}/\text{cm}$. Integrated temperature detector for exact temperature compensation. Easy to clean thanks to replaceable outer electrode.

Applications

Boiler feed water, feed water, boiler water, cooling water, water vapor cycle, pure water, condenser monitoring

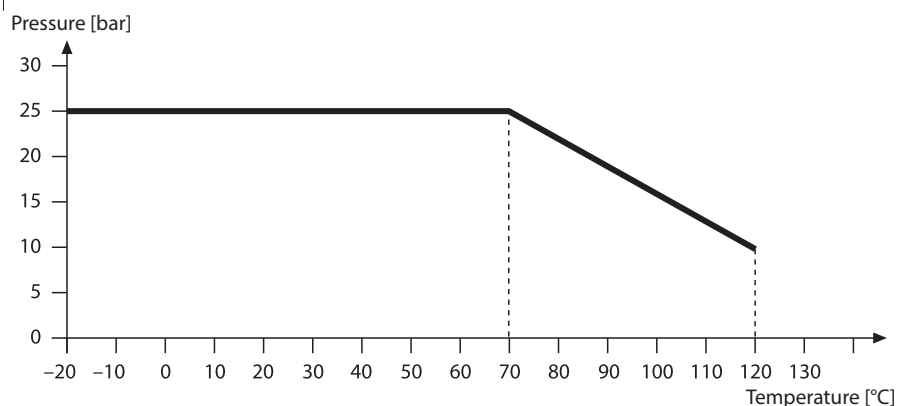
Facts

- Perfect galvanic isolation thanks to Memosens technology
- Digital data transfer
- Integrated sensor diagnostics
- Large measuring range from ultrapure water to 200 $\mu\text{S}/\text{cm}$
- Coaxially arranged electrodes
- Independent of installation conditions
- Integrated temperature detector
- High level of process safety due to durable materials and robust design
- Easy to clean thanks to detachable outer electrode
- Particularly suitable for monitoring ultrapure water in power plants
- Calibration Certificate

Specifications

Cell constant:	0.029/cm \pm 1 %
Measuring range:	0.0 ... 500 $\mu\text{S}/\text{cm}$
Accuracy:	2 % meas. value up to 200 $\mu\text{S}/\text{cm}$ 3 % meas. value from 200 to 500 $\mu\text{S}/\text{cm}$
Repeatability:	0.2 % meas. value + 3 nS/cm
Response time:	$T_{95} < 3 \text{ s}$
Material:	Cell and electrodes: 1.4571 stainless steel; insulator: PVDF; gaskets: FKM (Viton)
Temperature detector:	NTC 30 kohms
Temperature:	Medium: -20 ... +120 $^{\circ}\text{C}$; Environment: -25 ... +80 $^{\circ}\text{C}$
Pressure:	Max. 25 bar (-20 ... +70 $^{\circ}\text{C}$); max. 10 bar (120 $^{\circ}\text{C}$)
Process adaptation:	G 1" thread
Sensor connector:	Memosens

Pressure/Temperature Diagram



Product Range

SE 604 conductivity sensor	G 1"
SE 604 X conductivity sensor	G 1"

Order No.

SE 604-MS
SE 604X-MS

Accessories

Memosens cable	3 m
	5 m
	10 m
	20 m ^{*)}
Memosens cable, Ex	3 m
	5 m
	10 m
	20 m ^{*)}

Order No.

CA/MS-003NAA
CA/MS-005NAA
CA/MS-010NAA
CA/MS-020NAA
CA/MS-003XAA
CA/MS-005XAA
CA/MS-010XAA
CA/MS-020XAA

6-hole flange

ZU 0278

Conductivity standard	KCl	300 ml	15 µS/cm ± 1 %
	KCl	500 ml	147 µS/cm ± 1 %

ZU 0350
ZU 0702

Calibration Certificate

ZU 0320

MemoSuite

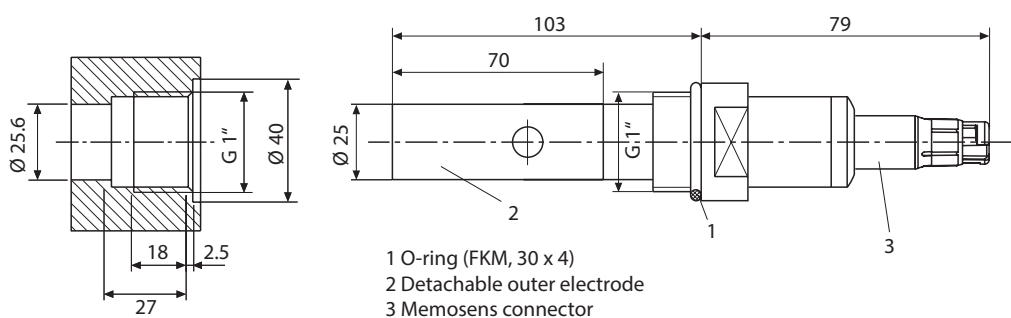
Management software for Memosens sensors	Basic version (calibration)
	Advanced version (calibration, diagnostics, documentation)

Order No.

SW-MS1400-B
SW-MS1400-A

^{*)} Greater lengths on request

Dimension Drawing



Installation conditions

All dimensions in mm

SE 604 Memosens Conductivity Sensor

Accessories / Specifications

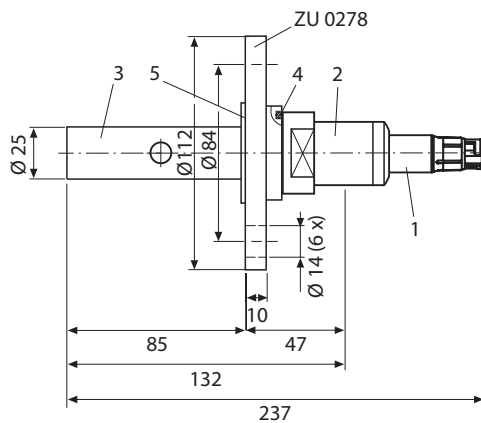
Flange (6-hole)

ZU 0278



Material:	Stainless steel, 1.4571
Accessories:	6 bolts, washers, nuts, M 12, 1.4571 stainless steel
Pressure:	Max. 10 bar
Temperature:	Max. 120 °C
Sensor locations:	1 x G 1"
Sensors:	SE 604

Dimension drawing: SE 604 Memosens with ZU 0278 flange



- 1 Memosens connection
- 2 Sensor body
- 3 Detachable outer electrode
- 4 O-ring (FKM, 30 x 4)
- 5 Flat gasket