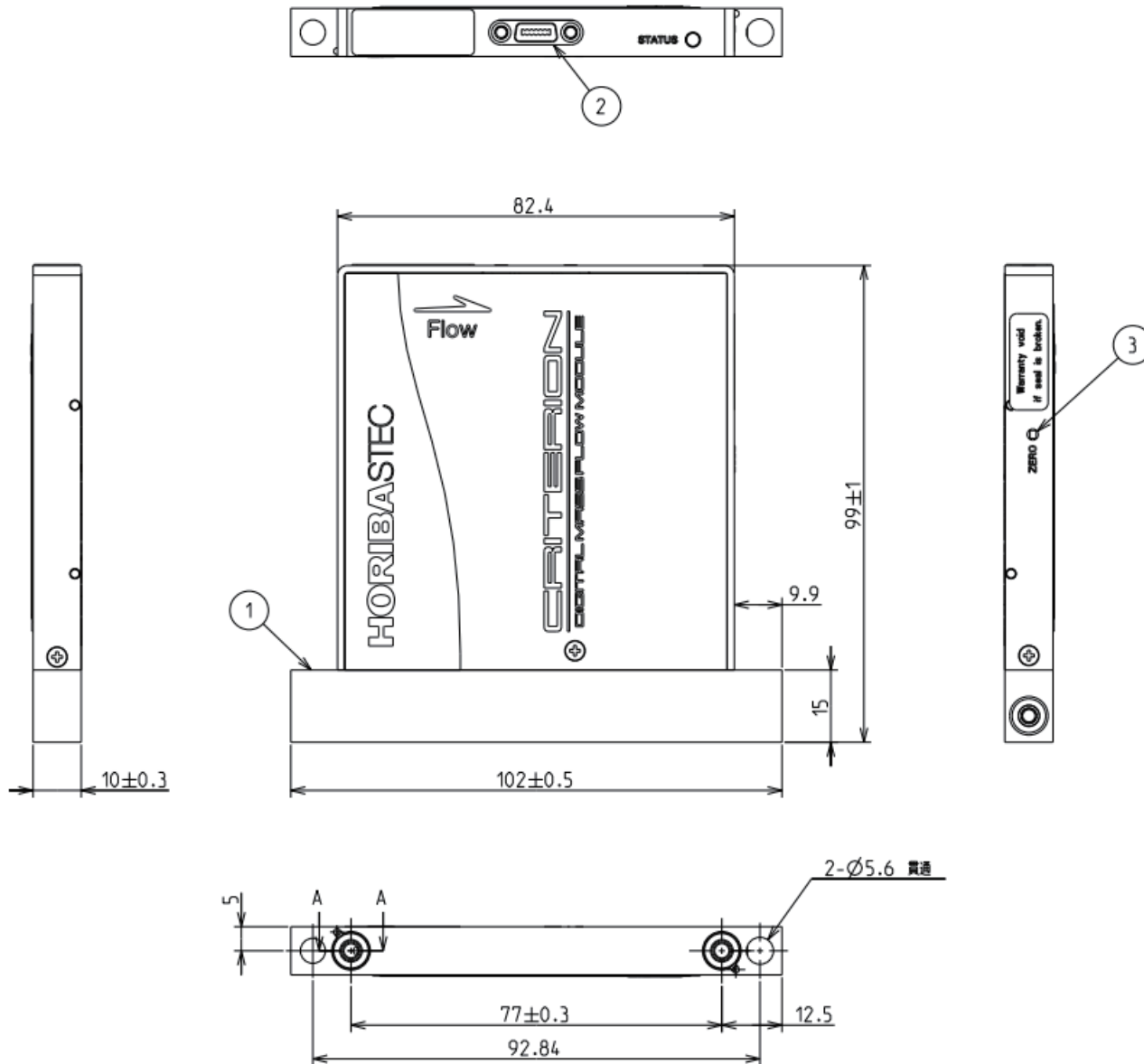


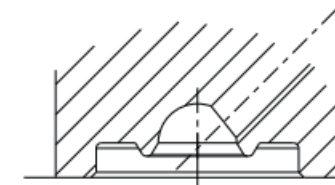
Sectional View A-A  
(Scale 5:1)

NO.	PARTS NAME	REMARKS
1	Flange	
	C-Seal	
2	Connector	
3	ZERO Adjust Switch	

NO.	SPEC.	PART NO.	REMARKS
NAME			
DZ-114S A4C1			

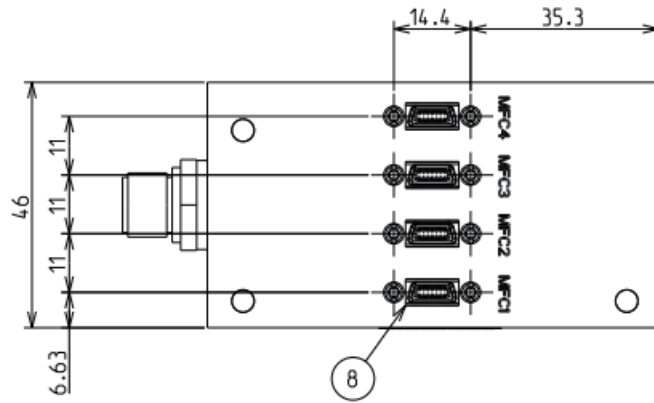
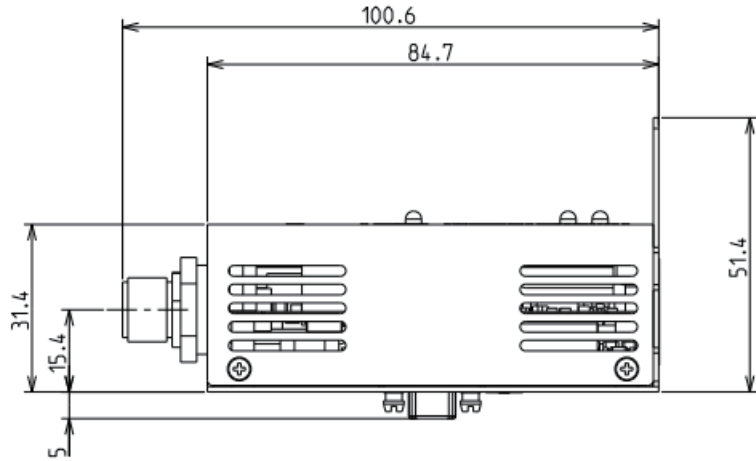
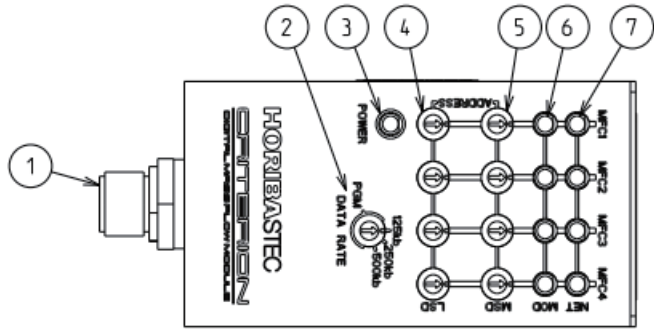
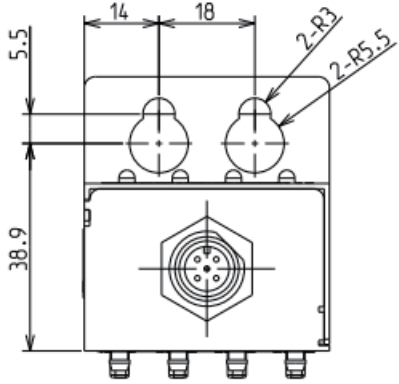


NO.	PARTS NAME	REMARKS
1	Flange	
	One W-Seal	
2	Connector	
3	ZERO Adjust Switch	



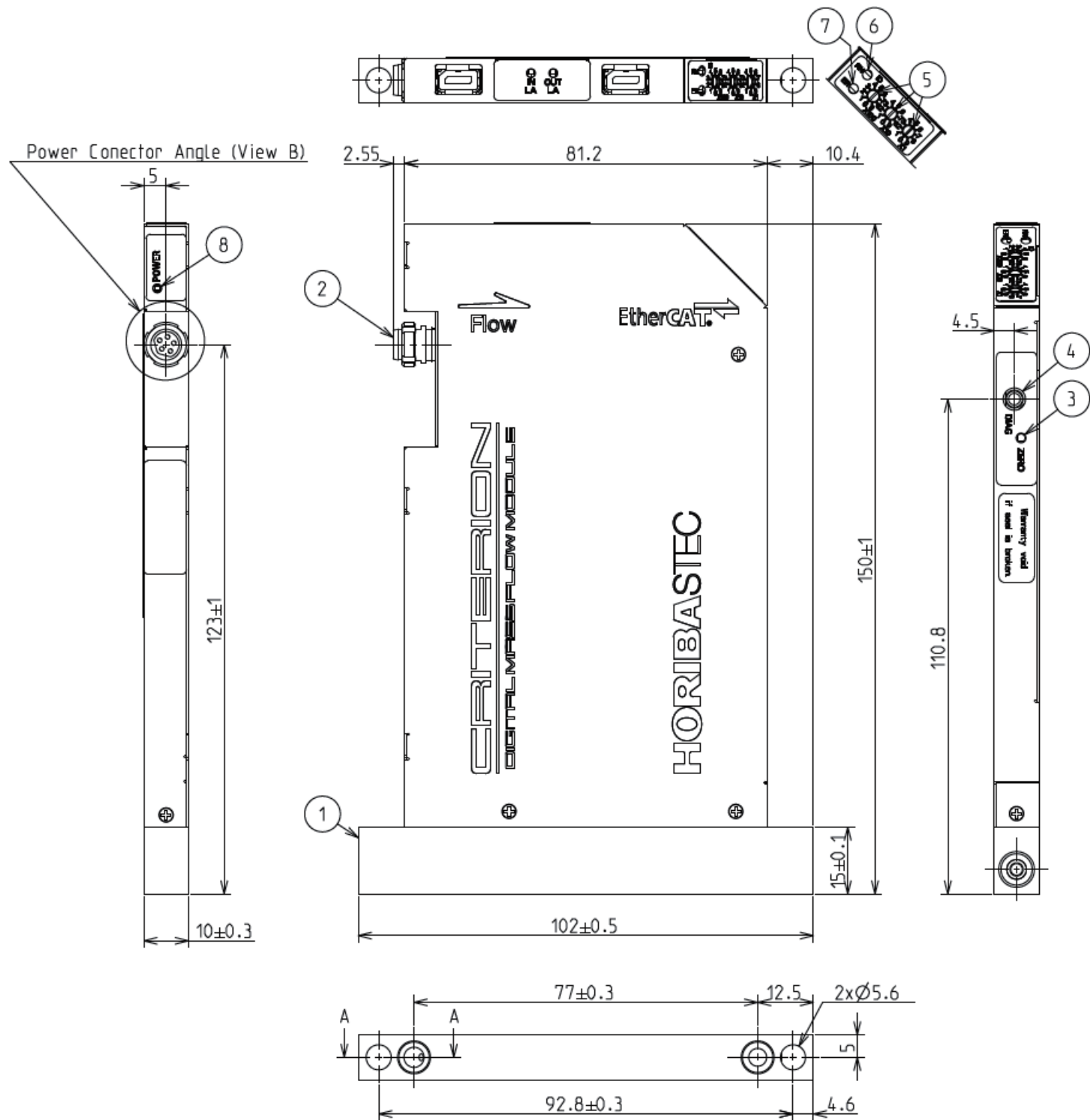
Sectional View A-A  
(Scale 5:1)

NO.	SPEC.	PART NO.	REMARKS
NAME			
DZ-114S A3W1			

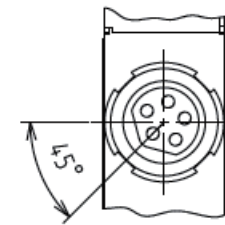


NO.	PARTS NAME	REMARKS
1	Micro-Style Connector 5Pin,M12	
2	DATA RATE Communication Rate	
3	LED (Status)	
4	ID LSD (4Line)	
5	ID MSD (4Line)	
6	LED (MOD. 4Line)	
7	LED (NET. 4Line)	
8	DZ-104 Connector 14Pin,M2	

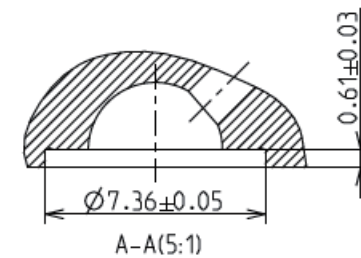
NO.	SPEC.	PART NO.	REMARKS
NAME			
DZ-104M			



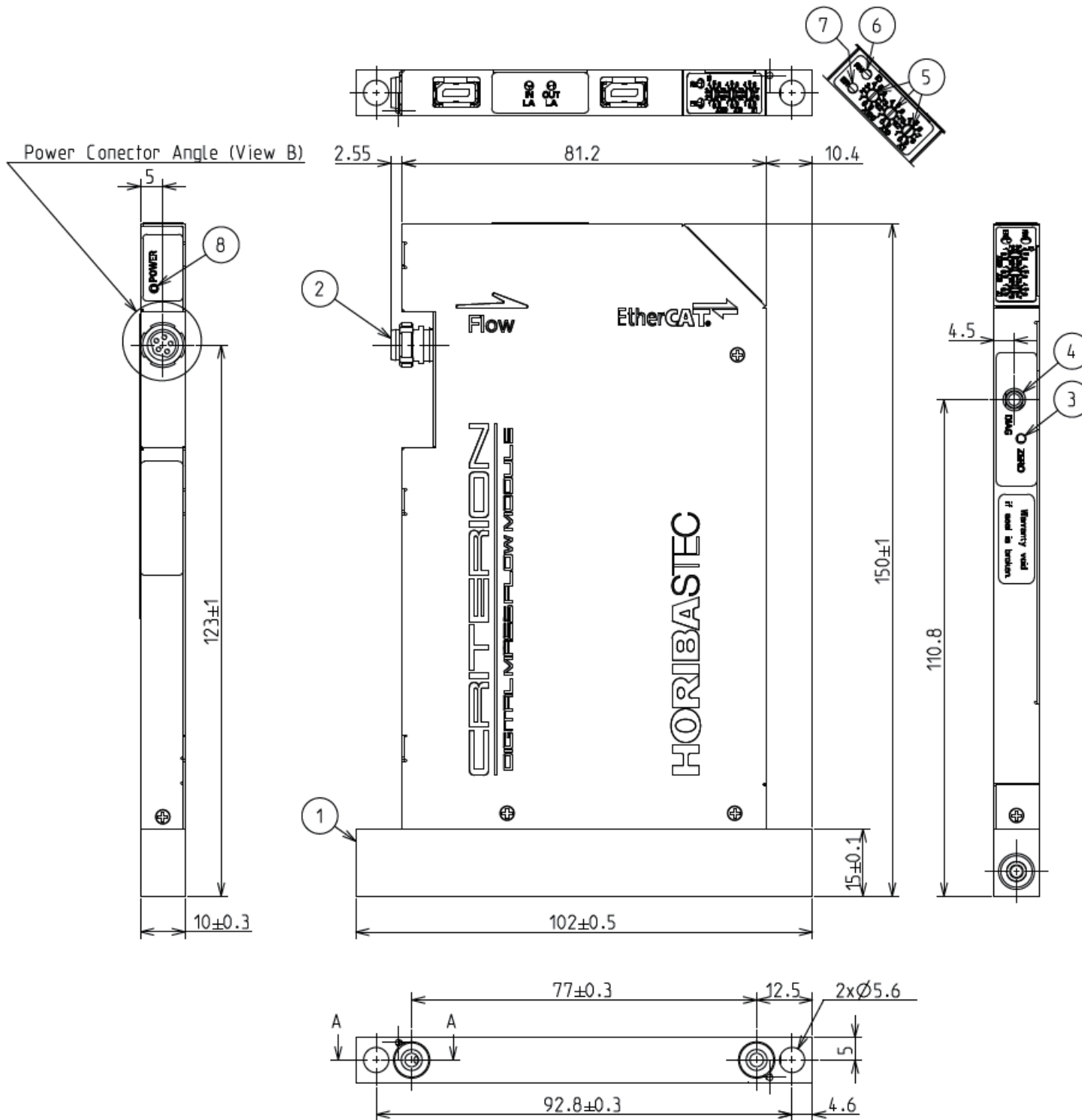
NO.	PARTS NAME	REMARKS
1	Flange	
	C-Seal	
2	Power Connector	
	5Pin, M8	
3	ZERO Adjust Switch	
	DIAGNOSTIC PORT	
5	MFC ID (x1,x10,x100)	
	For EtherCAT Communication	
6	LED(RN)	
	For MFC Exceptions Error	
7	LED(ER)	
	For Communication Error	
8	LED(POWER)	



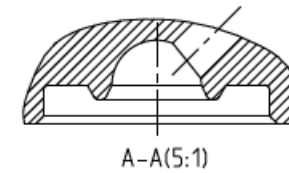
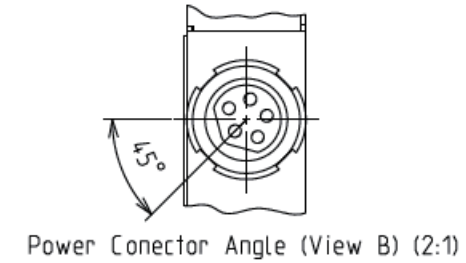
Power Conector Angle (View B) (2:1)



NO.	SPEC.	PART NO.	REMARKS
NAME			
DZ-117,127 A4C1			



NO.	PARTS NAME	REMARKS
1	Flange	
	One W-Seal	
2	Power Connector	
	5Pin,M8	
3	ZERO Adjust Switch	
4	DIAGNOSTIC PORT	
5	MFC ID (x1,x10,x100)	
	For EtherCAT Communication	
6	LED(RN)	
	For MFC Exceptions Error	
7	LED(ER)	
	For Communication Error	
8	LED(POWER)	



NO.	SPEC.	PART NO.	REMARKS
NAME			
DZ-117,127 A3W1			