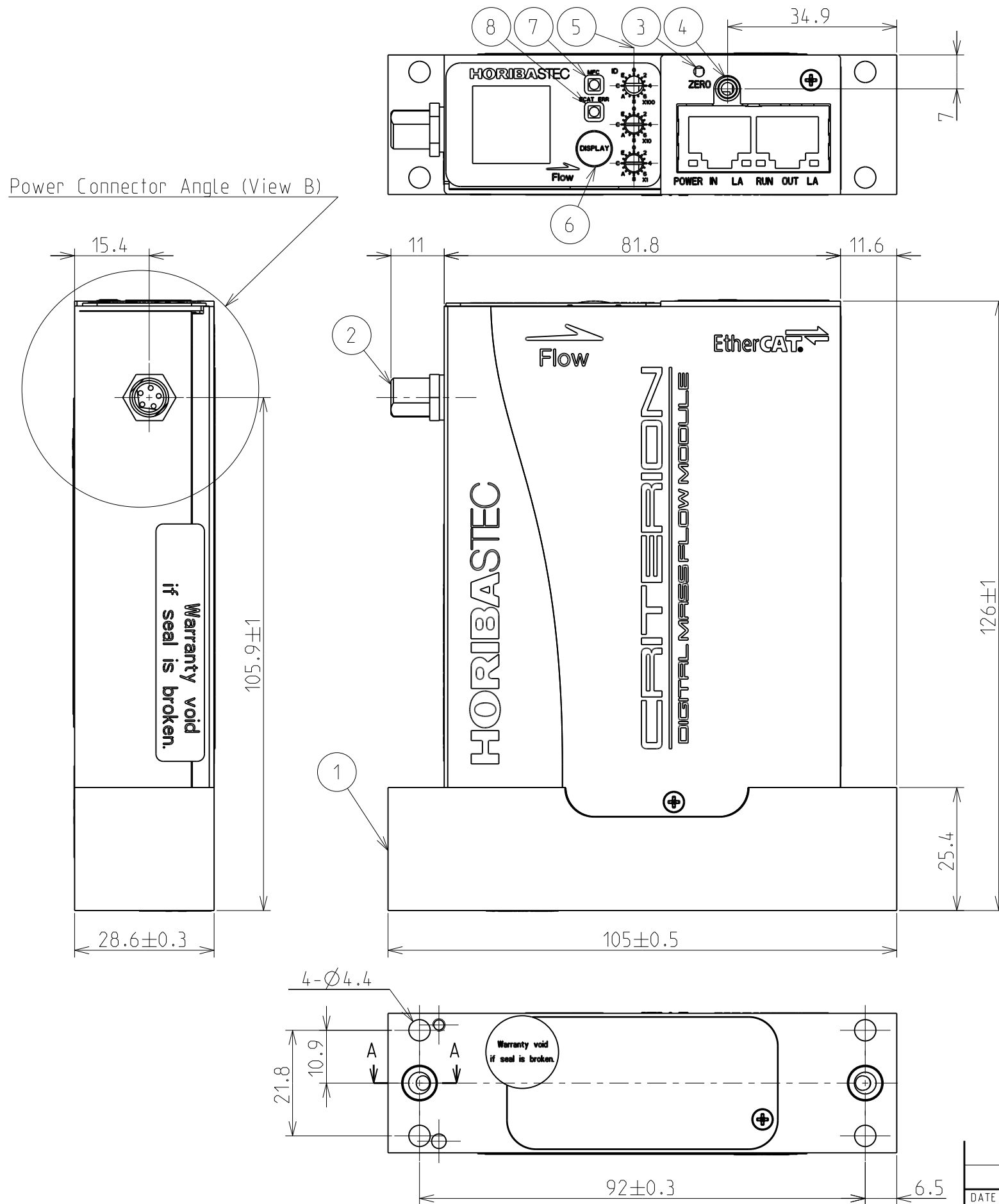
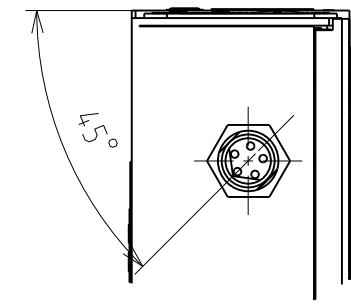


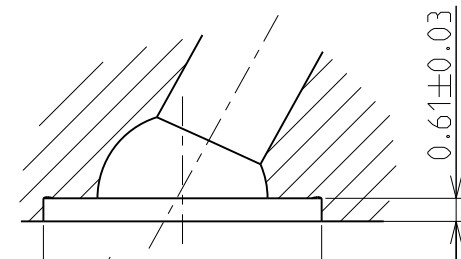
A5011583  
GZ0000575623



Power Connector Angle (View B)



Power Connector Angle (view B)  
Scale 1:1



Sectional View A-A  
(Scale 5:1)

NO.	PARTS NAME	REMARKS
1	Flange	
	C-SEAL	
2	Power Connector	
	5Pin,M8	
3	ZERO Adjust Switch	
4	DIAGNOSTIC PORT	
5	MFC ID (x1,x10,x100)	
	For EtherCAT Communication	
6	Display Switch	
7	LED(MFC)	
	For MFC Exceptions Error	
8	LED(ECAT ERR)	
	For Communication Error	

NO.	SPEC.	PART NO.	REMARKS
NAME D717 Wide Range 14C3 FLANGE			
SCALE 1:1		UNLESS OTHERWISE SPECIFIED DIMENSIONS ARE IN MILLIMETERS/THIRD ANGLE PROJECTION	
DATE JUN. 9, 2020	DATE JUN. 9, 2020	DATE JUN. 9, 2020	GZ0000575623
DRAWN	DESIGNED K.Imai	CHECKED K.Shakudo	APPROVED T.Yasuda A5011583