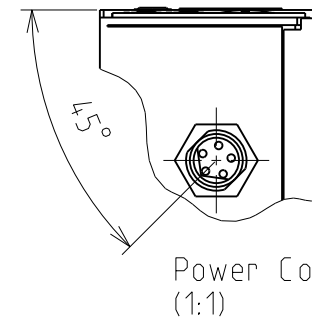
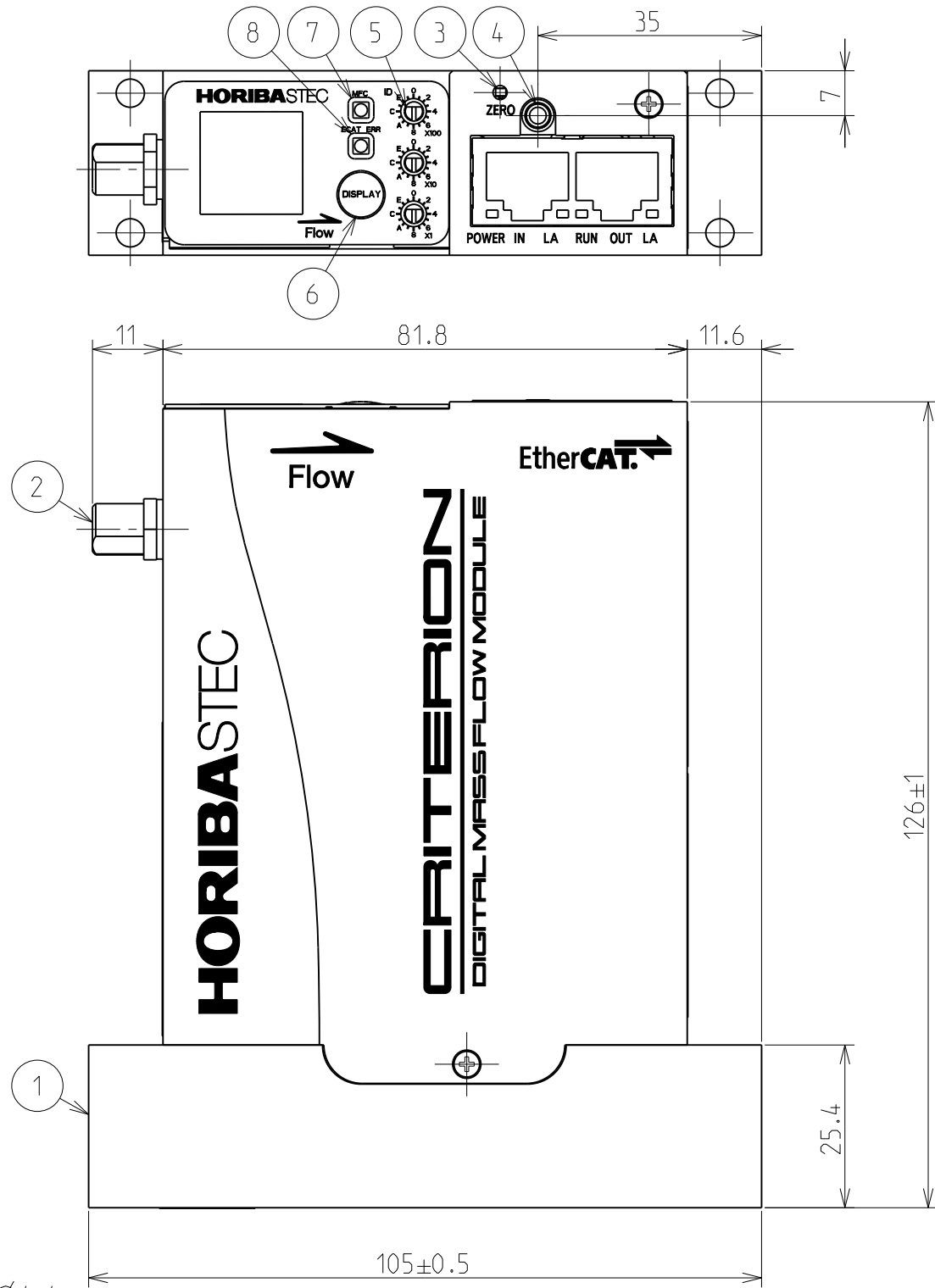
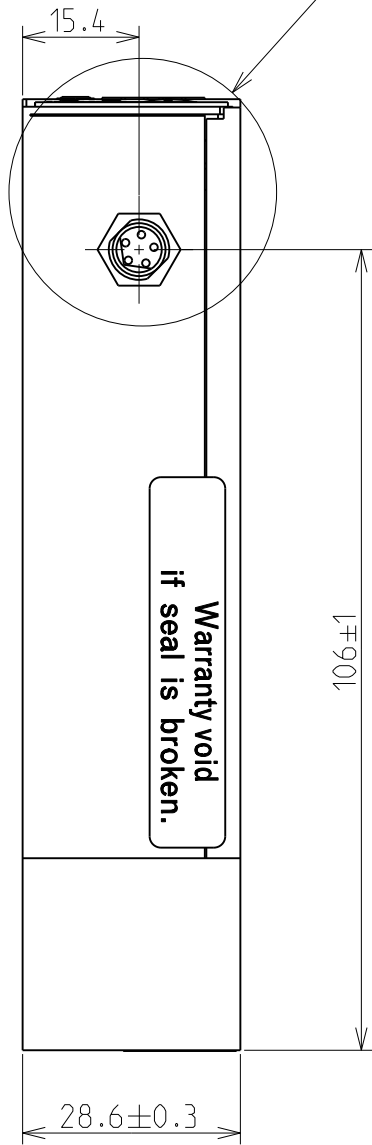
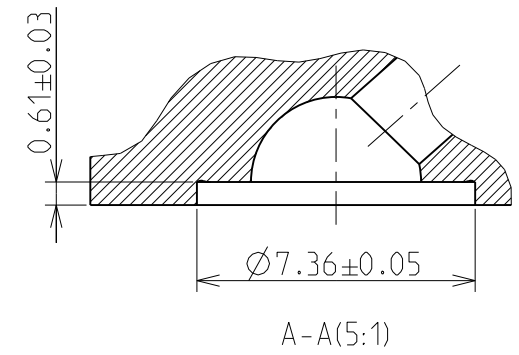


871869000079
A5013775

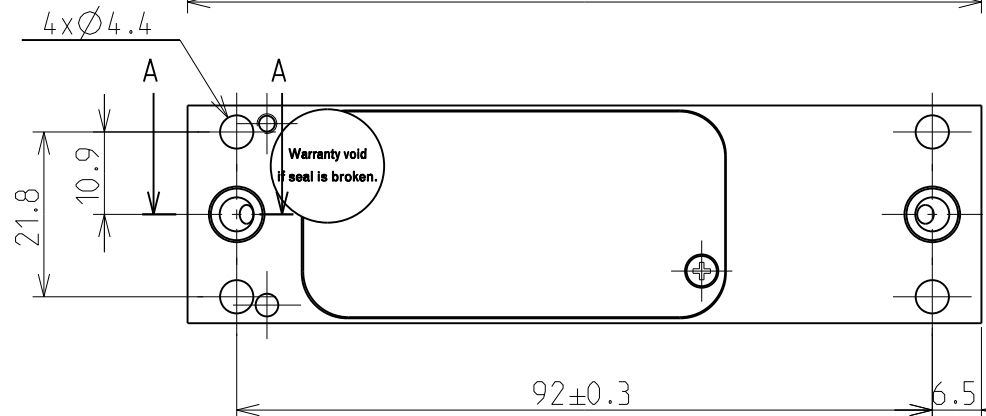
Power Connector Angle
(View B)



Power Connector Angle (View B)
(1:1)



NO.	PARTS NAME	REMARKS
1	Flange C-SEAL	
2	Power Connector 5Pin,M8	
3	ZERO Adjust Switch	
4	DIAGNOSTIC PORT	
5	MFC ID (x1,x10,x100) For EtherCAT Communication	
6	Display Switch	
7	LED(MFC) For MFC Exceptions Error	
8	LED(ECAT ERR) For Communication Error	



NO.	SPEC.	PART NO.	REMARKS
NAME D717T 14C3 Flange			
SCALE 1:1		UNLESS OTHERWISE SPECIFIED DIMENSIONS ARE IN MILLIMETERS/THIRD ANGLE PROJECTION	
DATE NOV. 25, 2022		DATE NOV. 30, 2022	
DRAWN N.Uegaki		DESIGNED H.Horiguchi	
CHECKED T.Tsukamoto		APPROVED A.Ieki	
			GZ0000693128
			A5013775

REVISED			
DATE NOV. 25, 2022	DATE NOV. 30, 2022	DATE NOV. 30, 2022	DATE NOV. 30, 2022
DRAWN N.Uegaki	DESIGNED H.Horiguchi	CHECKED T.Tsukamoto	APPROVED A.Ieki