

PMT Housings

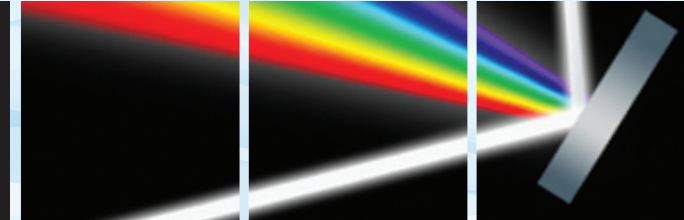
1424, DPM-HVH, 1912

A variety of ambient and cooled housings are available to couple 28 mm side on photomultiplier tubes to HORIBA spectrometers.

There are many photomultiplier tubes that may be used with HORIBA spectrometers, with varying degrees of spectral response and sensitivity. Housings, both ambient and cooled, have been designed that optimally couple the spectral output from HORIBA spectrometers to 28 mm side on PMTs.

For ambient housings, there are two options, one with integrated high voltage (DPM-HVH) and one without (1424). The DPM-HVH housing's high voltage is controlled through the SpectrAcq2's PMT DAQ port. The 1424 housing requires an external high voltage power supply with MHV high voltage input. HORIBA's PMT-HVPS high voltage power supply is compatible and provides high voltages up to 2 kV.

For increased sensitivity and PMTs with near-IR response, a cooled housing is required to decrease dark current. The 1912 housing is a thermoelectrically cooled housing with external water cooling. A temperature gradient of $>40^{\circ}\text{C}$ is achievable with the cooled housing.



Accessories

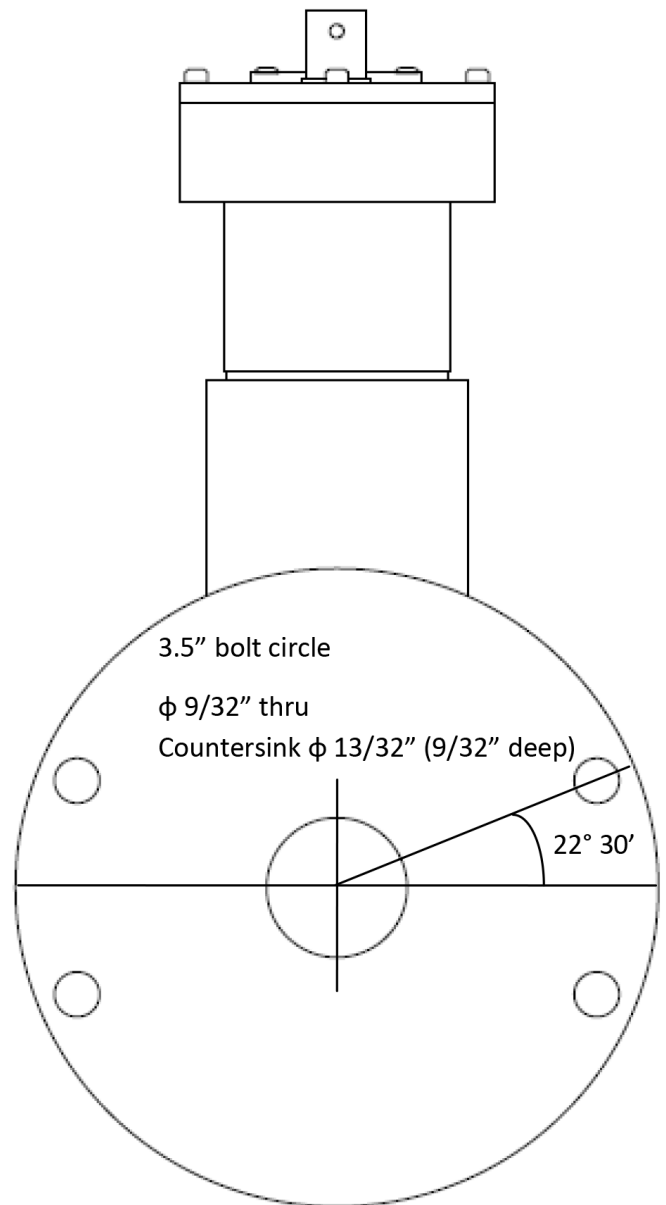
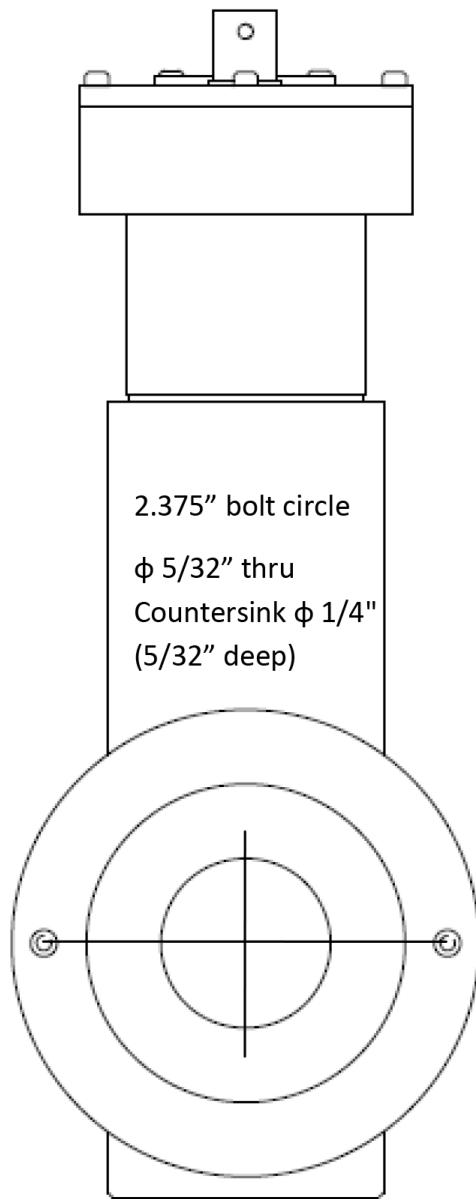
- SpectrAcq2, data acquisition module
- DM-302, photon counting module
- J96455, R928P PMT selected for photon counting
- CCA-DPMHV, cable for high voltage control of DPM-HVH housing through SpectrAcq2
- J400046, cable for remote control of high voltage through software
- J30646, BNC cable for communication (8 ft)
- PMT-HVPS, high voltage power supply
- J23079050, dual detector housing for PMT and solid state detector (DSS)

Features and Benefits

- Efficient and optimal collection of signal from spectrometer exit
- Designed for use with all HORIBA spectrometers

PMT and Housing Assembly	Compatible Spectrometer Slit Assemblies	Includes	High Voltage Power Supplies	Cooling
1911F	microHR, iHR, FHR, and Triax series	1424M housing R928 PMT	External high voltage required PMT-HVPS (2 kV maximum)	Ambient
1911G	M II series	1424S housing R928 PMT	External high voltage required PMT-HVPS (2 kV maximum)	Ambient
DPM-HV	microHR, iHR, FHR, and Triax series	DPM-HVH housing R928 PMT	Integrated high voltage controlled via SpectrAcq2 1.25 kV maximum	Ambient
DPM-HVG	M II series	DPM-HVHG housing R928 PMT	Integrated high voltage controlled via SpectrAcq2 1.25 kV maximum	Ambient
1914F	microHR, iHR, FHR, and Triax series	1912F-H housing R928 PMT	External high voltage required PMT-HVPS (2 kV maximum)	TE water cooling $\Delta T > 40^{\circ}\text{C}$
1914G	M II series	1912G-H housing R928 PMT	External high voltage required PMT-HVPS (2 kV maximum)	TE water cooling $\Delta T > 40^{\circ}\text{C}$

Mechanical Dimensions



OPTICAL BUILDING BLOCKS



HORIBA
Scientific

info.sci@horiba.com www.horiba.com/opticalbuildingblocks

USA: +1 732 494 8660
UK: +44 (0)20 8204 8142
China: +86 (0)21 6289 6060

France: +33 (0)1 69 74 72 00
Italy: +39 2 5760 3050
Brazil: +55 (0)11 5545 1500

Germany: +49 (0)89 4623 17-0
Japan: +81 (0)3 6206 4721
Other: +1 732 494 8660