

## SampleMax

ASC-VIS, ASC-UV

ELEMENTAL ANALYSIS
FLUORESCENCE
GRATINGS & OEM SPECTROMETERS
OPTICAL COMPONENTS
FORENSICS
PARTICLE CHARACTERIZATION
RAMAN
SPECTROSCOPIC ELLIPSOMETRY
SPR IMAGING

### Lens-based sample compartment

The SampleMax lens-based sample compartment from HORIBA Scientific is an ideal sample compartment for a variety of applications. Designed for use with HORIBA light sources and monochromators, it can be configured with a variety of accessories, including a cuvette holder, solid sample holder, and powder sample holder. The samples are positioned at the center of the sample compartment, allowing for either an I or T-shaped configuration. This sample compartment is ideal for fluorescence, absorbance/transmittance, photoluminescence, reflectance, and other spectroscopic applications.

The standard SampleMax sample compartment is available with glass lenses (ASC-VIS) for spectroscopy experiments in the visible and quartz lenses (ASC-UV) for use in the UV to IR spectral region. It is configured with two sets of rails for excitation and collection and a cuvette holder. An optional third optical axis may be added with an extra set of rails. Other optional accessories include a solid/powder sample holder, an x-z translation stage, and a rotating turret.

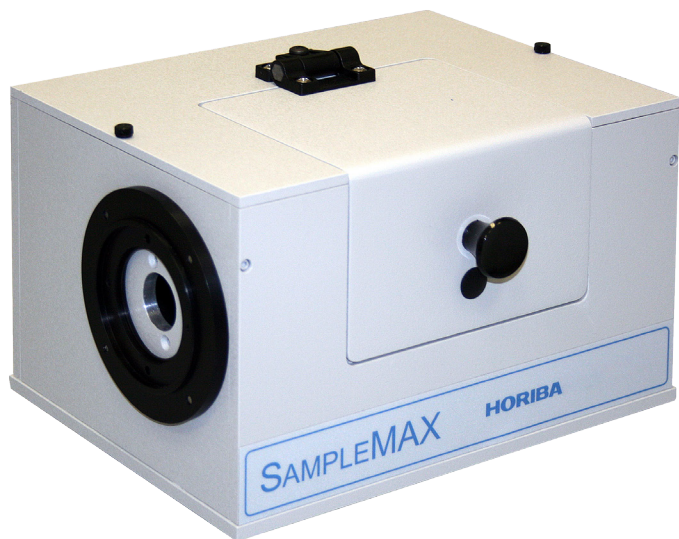
### Features and Benefits

- Two different excitation channels (I-Format and T-format)
- Optional glass, quartz, and zinc selenide lenses available for work over a wide spectral range
- External turret wheel allows for easy movement of the sample holder into the appropriate position for measurements
- External micrometer slit for coupling to a detector
- Optional filter holders (fixed and tiltable) for excitation and detection channels
- Variety of sample holders for solutions, solids, thin films, and powders

### Accessories

Various accessories are available for sample manipulation and coupling fibers, detectors, light sources, and monochromators to the SampleMax

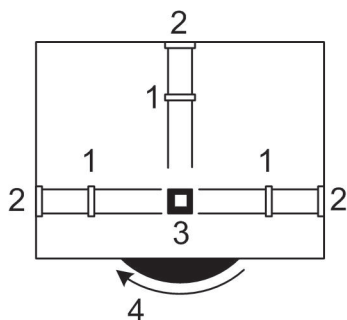
- Solid-sample holder, ASC-SSOL
- External turret wheel, ASC-STUR
- Rail mount assembly, ASC-ORAIL
- X-Z stage with micrometer control, ASC-SXZ
- Quartz cuvette, J1920
- Stoppered quartz cuvette, J1925
- Cuvette holder, J350590
- External variable slit, ASC-1679
- Filter holder for 1" filters, 100FLT
- Tiltable filter holder for 1" filters, J1496
- X-Y adjustable SMA fiber-optic holder, ASC-FIBKIT



## Specifications

Part Number	ASC-UV	ASC-VIS
Size	9.5" (w) x 7" (d) x 6" (h)	
Optical configurations	I and T formats	
Sample holders	Solids, liquids, thin films, and powders	

## Mechanical Diagram



1. Lenses (Glass, Quartz, ZnSe)
2. Filter holders for 1" round filters
3. Sample holder (cuvette holder shown)
4. Rotating turret



**OPTICAL BUILDING BLOCKS**



**HORIBA**  
Scientific

[info.sci@horiba.com](mailto:info.sci@horiba.com) [www.horiba.com/opticalbuildingblocks](http://www.horiba.com/opticalbuildingblocks)

**USA:** +1 732 494 8660  
**UK:** +44 (0)20 8204 8142  
**China:** +86 (0)21 6289 6060

**France:** +33 (0)1 69 74 72 00  
**Italy:** +39 2 5760 3050  
**Brazil:** +55 (0)11 5545 1500

**Germany:** +49 (0)89 4623 17-0  
**Japan:** +81 (0)3 6206 4721  
**Other:** +1 732 494 8660