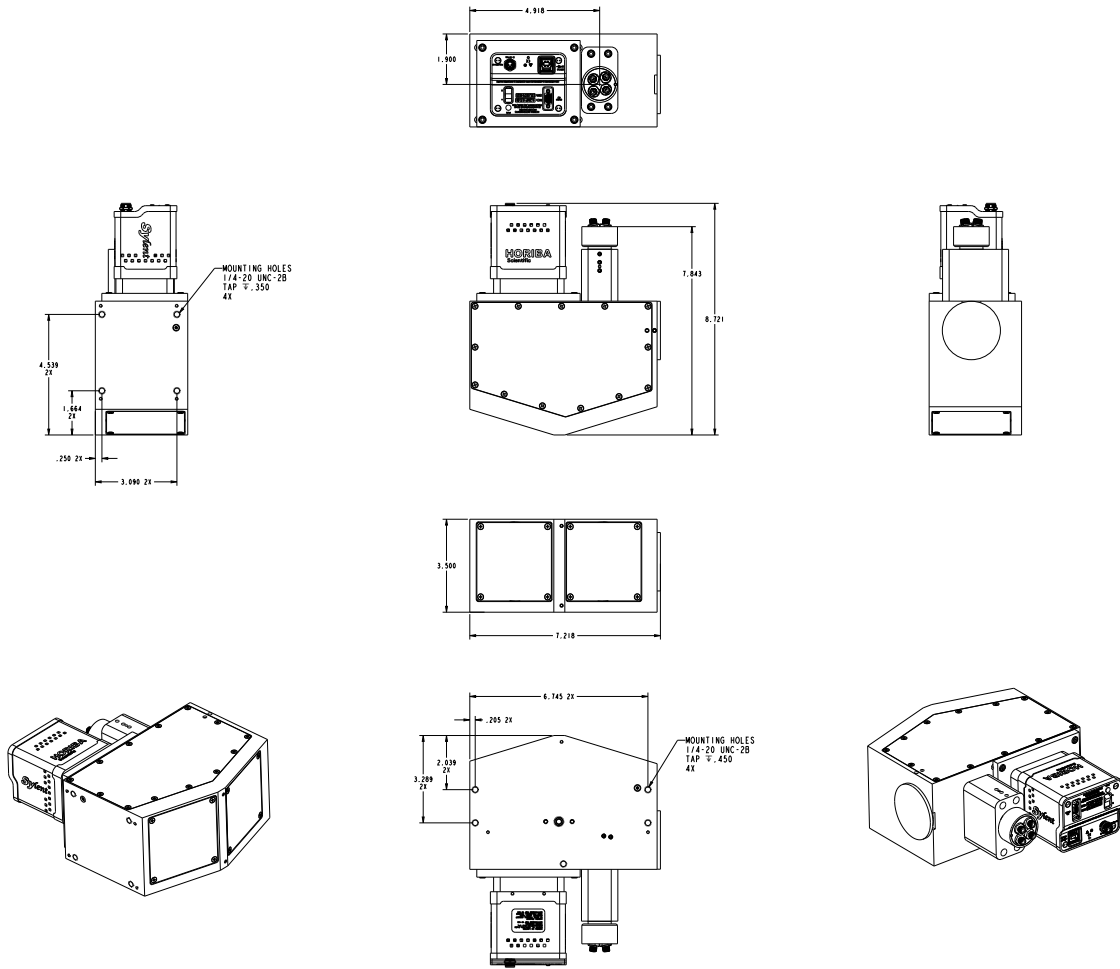
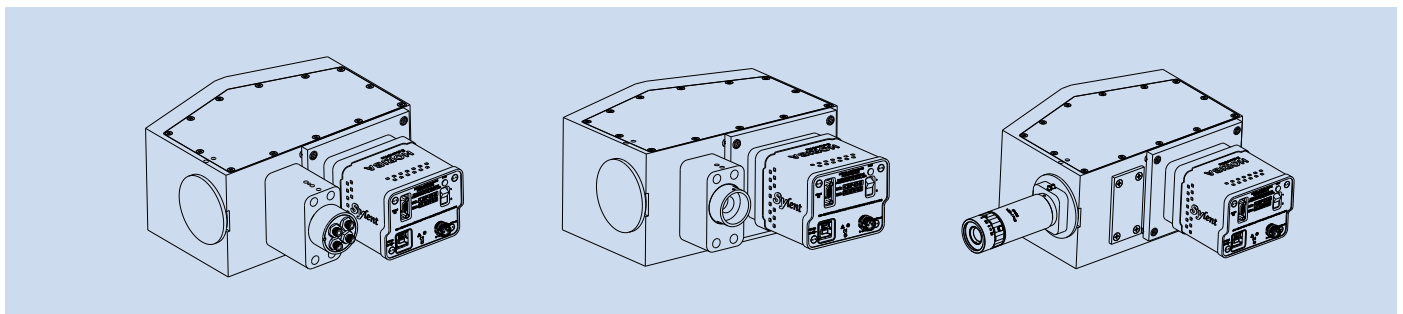


## System Mechanical Drawings

### PoliSpectra 135 with Sylent Mini sCMOS Camera UV-M135A with Integrated 4-channel Fiber Optic Input



### Alternative Configurations



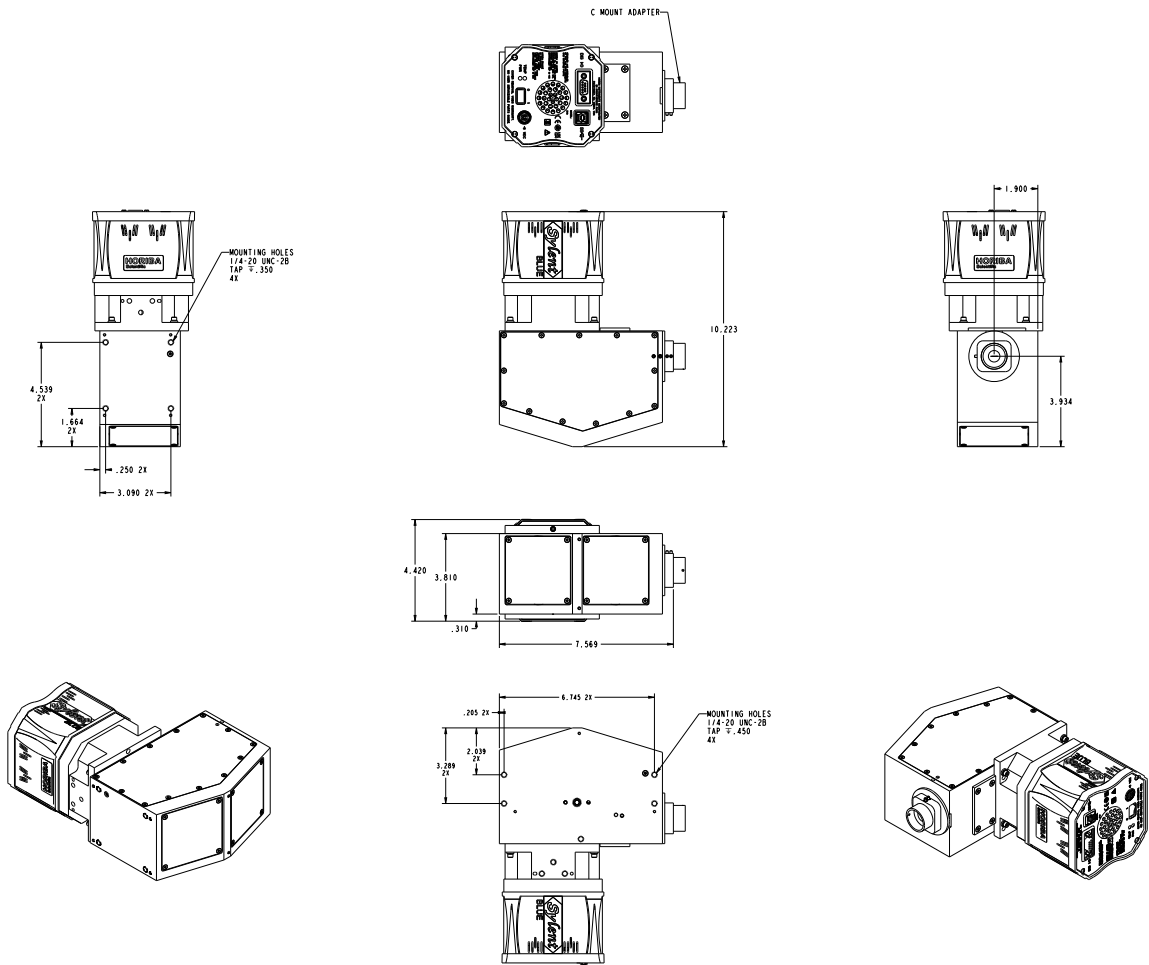
4-ch fiber optic input  
(Also available: Direct  
fiber attachment for up to  
96-channels)

C-mount thread for lens  
in the axial input position

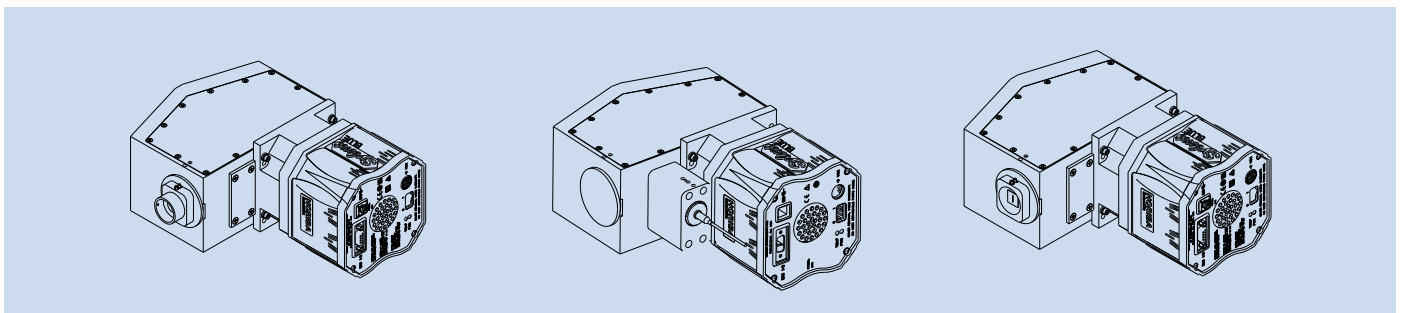
C-mount thread for large lens  
in the lateral input position  
(with lens shown)

# PoliSpectra 135 with Sylent Blue sCMOS Camera

VIS-H135L with C-mount Thread for Large External Lens



## Alternative Configurations



C-mount thread for lens in the lateral input position

Direct fiber attachment (up to 96-ch) in the axial or lateral position

Bare slit for customer-specific focusing optics