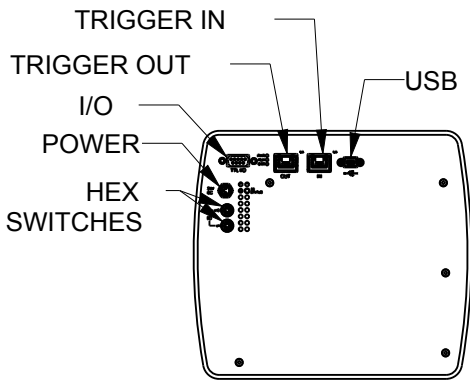
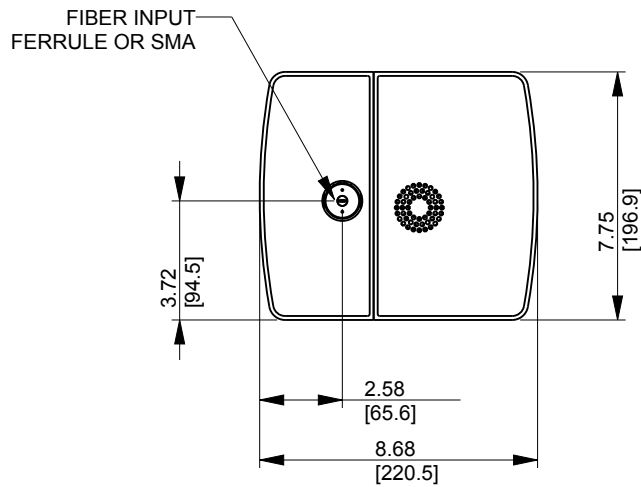
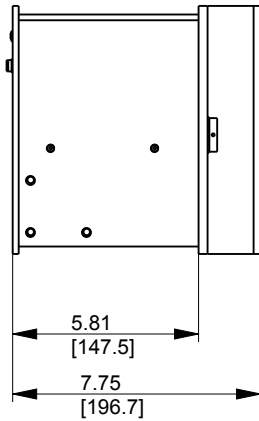
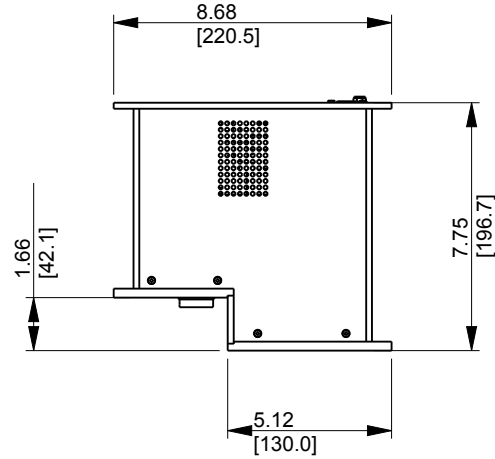
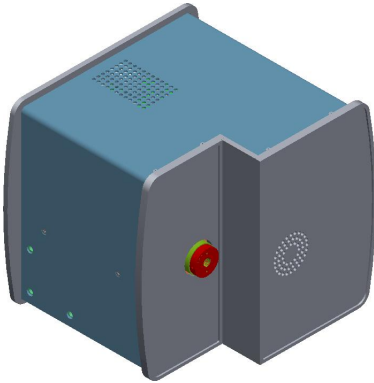
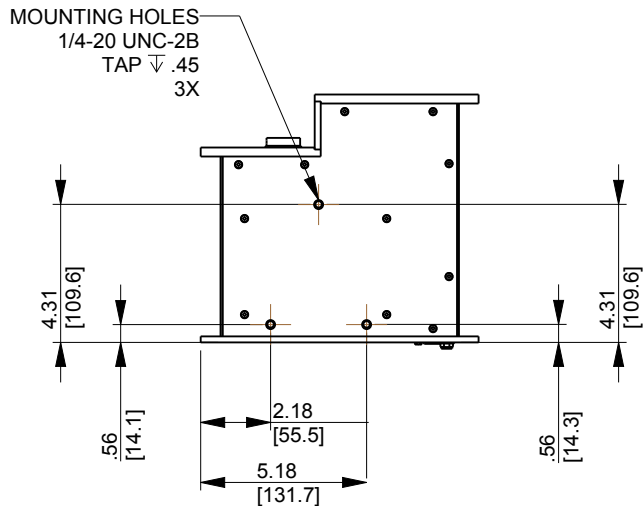


System Mechanical Drawings



REAR VIEW



UNITS IN INCHES [MILLIMETERS]