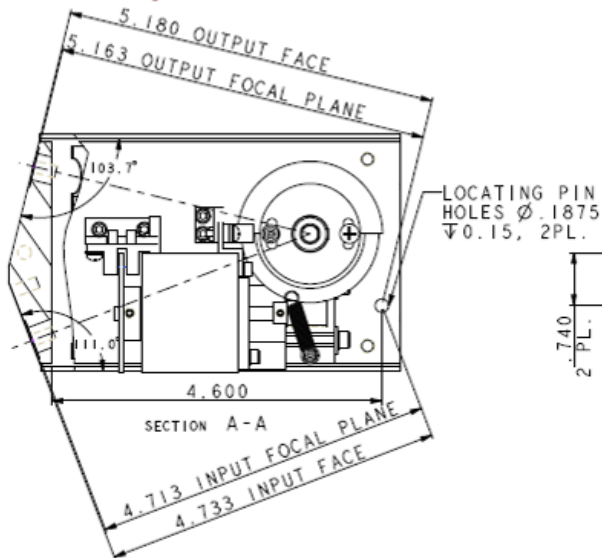
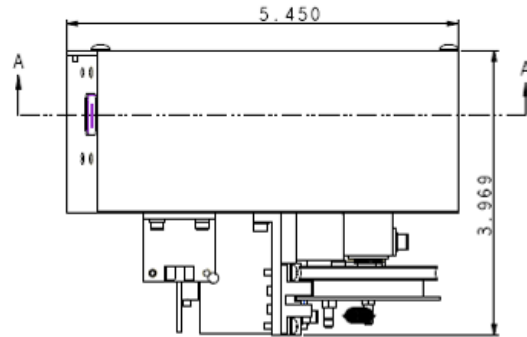
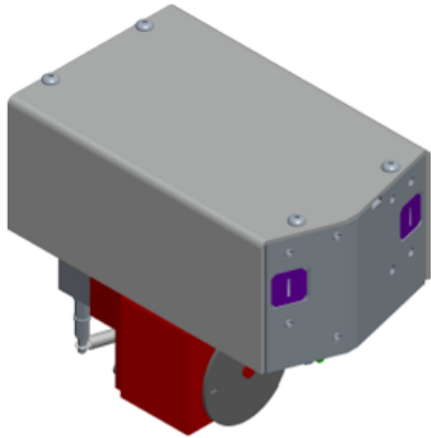
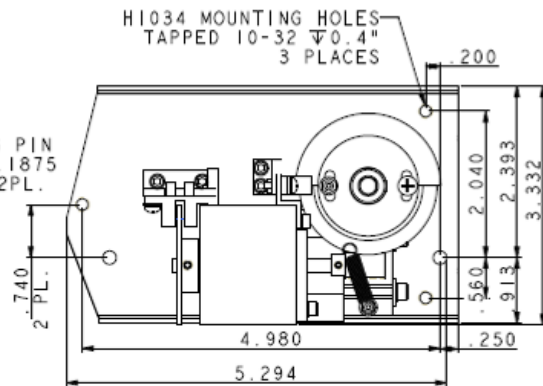


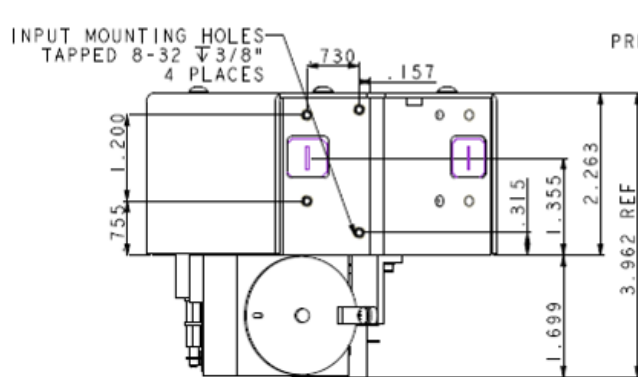
## System Mechanical Drawings



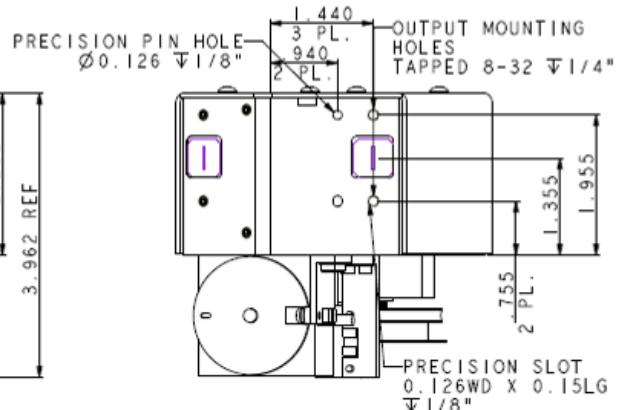
MOUNTING PINS DETAIL



MOUNTING HOLE DETAIL



INPUT FACE DETAIL



OUTPUT FACE DETAIL

All units are in inches